

IMPROVING THE MICROSTRUCTURE AND MECHANICAL PROPERTIES OF MAGNESIUM-ALLOY SHEETS WITH A NEW EXTRUSION METHOD

IZBOLJŠANJE MIKROSTRUKTURE IN MEHANSKIH LASTNOSTI PLOČEVINE IZ Mg-ZLITINE Z NOVO METODO IZTISKAVANJA

Liwei Lu¹, Zhenru Yin¹, Yanfeng Liu¹, Dandan Chen¹, Chuming Liu²,
Zhiqiang Wu¹

¹Hunan University of Science and Technology, Hunan Provincial Key Laboratory of High Efficiency and Precision Machining of Difficult-to-Cut Material, Xiangtan, Hunan 411201, China

²Central South University, School of Materials Science and Engineering, Changsha 410083, Hunan, China
cqullw@163.com, wuzq2009@163.com

Prejem rokopisa – received: 2017-05-19; sprejem za objavo – accepted for publication: 2017-06-22

doi:10.17222/mit.2017.059

A new effective extrusion technique, including integrated direct extrusion and bending-shear deformation, was proposed to fabricate AZ31-magnesium-alloy sheets with high performance, and the grain refinement, texture and mechanical properties were further investigated. The results show that the new extrusion technique can noticeably refine the grain size from 240 μm to 3.2 μm at 563 K, and the basal texture is also dramatically weakened, which can be attributed to a fully dynamic recrystallization triggered by a large shearing strain accumulated due to a bar-sheet deformation and continuous bending-shear deformation. Consequently, the ductility significantly increases from 11.67 % to 27.7 %, and the ultimate tensile stress can still keep a high value of 290 MPa, rendering this new technique an effective processing method for further tailoring of the microstructure and properties of Mg-based alloys for a wide range of engineering applications.

Keywords: AZ31-Mg alloy, hot extrusion, microstructure, mechanical properties

Avtorji prispevka so raziskovali vpliv nove učinkovite tehnike iztiskavanja (ekstrudiranja) na lastnosti pločevine iz Mg zlitine AZ31. Pri tej tehniki sta združena postopka direktnega iztiskavanja in upogibanja s strižno deformacijo (*angl.*: Direct Extrusion and Bending Shear; DEBS). Avtorji ugotavljajo, da je prišlo do udrobljenja mikrostrukture, raziskali pa so tudi teksturo in določili mehanske lastnosti tako izdelane pločevine. Rezultati raziskave so pokazali, da je nova tehnika ekstrudiranja opazno zmanjšala velikost kristalnih zrn iz 240 μm na 3,2 μm pri 563 K (290 °C), prav tako je občutno oslabela bazala tekstura, kar je pripisati popolni dinamični rekristalizaciji zaradi velike strižne deformacije nakopičene med preoblikovanjem krogljice v pločevino in neprekinjene upogibno-strižne deformacije. Posledično se je občutno povežala duktilnost iz 11,67 % na 27,7 % in natezna trdnost je še vedno ostala na visokem nivoju 290 MPa. Zato ta nova tehnika iztiskavanja lahko postane učinkovita procesna tehnologija za nadaljnje prilagajanje mikrostrukture in lastnosti Mg zlitin široki paleti inženirskih aplikacij.

Ključne besede: AZ31 magnezijeva zlitina, vroče ekstrudiranje, mikrostruktura, mehanske lastnosti

1 INTRODUCTION

The efforts to improve energy efficiency and develop low-density and high-specific-strength magnesium alloys for various structural applications in transportation vehicles are strongly driven by the development of lightweight construction. However, its application is still limited due to the hexagonal close-packed structure with poor slip systems at room temperature.¹⁻³ To overcome this problem, many scholars paid more attention to the grain refinement using severe plastic-deformation (SPD) techniques.^{4,5} Nowadays, the most attractive SPD procedures are equal-channel angular pressing (ECAP),^{6,7} cyclic extrusion compression (CEC),^{8,9} high-pressure torsion (HPT)^{10,11} and accumulative roll bonding (ARB).^{12,13} A. Muralidhar et al.¹⁴ adopted four passes of ECAP via the B_c route for a magnesium alloy at a temperature of 573 K. The average grain size was reduced from 31.8 μm to 8 μm . J. B. Lin et al.¹⁵ used CEC to extrude the GW102 K alloy at 623 K with 8 passes. The

elongation to failure was dramatically increased by 162.5 %, and the yield strength (YS) and ultimate tensile strength (UTS) increased by 41.3 % and 16.1 %, respectively. It should be noted that these techniques commonly require several passes before fine grains and a homogeneous strain can be obtained. Therefore, it is urgent to decrease the SPD passes to reduce the cost and increase the efficiency of practical processing of Mg alloys.

In the current study, AZ31-magnesium-alloy sheets are fabricated using a new extrusion method, integrating direct extrusion and bending shear (DEBS), which adds a successive bending-shear deformation to the conventional extrusion for further improving the microstructure and the basal texture. This deformation process can accumulate a large and homogeneous strain in the materials in a single pass, and the grains and basal texture of the AZ31-Mg-alloy sheets are prominently refined and weakened, respectively. Moreover, DEBS is proved

to be a promising way to produce high-performance Mg-alloy sheets.

2 EXPERIMENTAL PART

A schematic diagram of the DEBS process is in **Figure 1**, which shows the configuration of a designed and manufactured DEBS die. For the sake of clarity, the characteristic zones of the extrusion deformation were divided into stages I, II, III, IV and V, representing the conical part, the forward-extrusion bar sheet, the first bending-shear zone, the second bending-shear zone, and the eventual forming stage, respectively. As for zone I, the forward-extrusion ratio and conical angle were 7.08° and 60° , respectively, and the sample shape was transformed from a bar with a $\varnothing 25$ mm diameter into a sheet with a width and thickness of 25 mm and 3 mm, respectively. The bending radii R_1 , R_2 , the bending angles β and ψ were set to be 6 mm, 3 mm, 140° and 100° , respectively.

In the present work, the AZ31-magnesium alloy with a composition of 3 % mass fraction of Al, 1 % mass fraction of Zn, 0.3 % mass fraction of Mn, and the Mg balance was employed. A graphite + engine oil lubrication containing a mass fraction of 70 % of cylinder oil (74#) and 30 % of graphite (400 mesh) was sprayed on the specimens with a 25-mm diameter and 30-mm length, made from as-cast ingots and dies, to reduce the friction. Subsequently, the billet and die were heated to the target temperature for 10 min, and the heated billet was promptly installed into the die to conduct the extrusion process for fabricating AZ31-magnesium-alloy sheets at 563 K and 643 K.

The extrusion products were cut into a rectangle shape with dimensions of 6 mm \times 3 mm \times 8 mm along the longitudinal plane, as shown in **Figure 1**. The microstructures of the DEBS-ed sheets were examined from the extrusion-direction (ED), transverse-direction (TD) and normal-direction (ND) planes by means of optical microscopy, and the average grain size was measured using the linear intercept process. The central region of an extrusion product was chosen for an X-ray diffraction

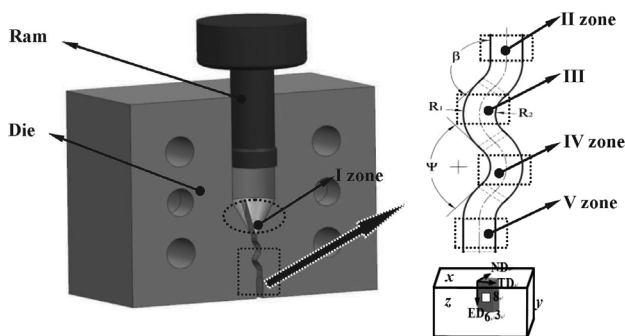


Figure 1: Sketch of the DEBS die and definition of external orientations; ED, TD, and ND denote the extrusion, transverse and normal directions

(XRD) analysis using a Bruker Discover equipment with $\text{Cu-K}\alpha$ radiation operated at 40 kV and 40 mA, and parameters α and β were measured from 0° to 75° and 360° , respectively. Tensile tests were carried out using specimens with a gauge section of 25 mm \times 3 mm \times 10 mm from the extruded sheets along the ED at room temperature and a constant velocity of 2 mm/min. Finally, the tensile-fracture surface was further analyzed with a scanning electron microscope. Besides, the microstructure and properties of the as-cast specimen were also tested for comparison.

3 RESULTS AND DISCUSSION

3.1 Microstructure

To examine the microstructure-refinement effect, the optical microstructures of the AZ31-Mg alloy before and after the extrusion are shown in **Figures 2** and **3**. The grains of the as-cast billet are coarse and the average grain size is calculated to be about 240 μm (**Figure 2a**). Significantly, the DEBS-ed AZ31-magnesium-alloy sheet extruded at 563 K shows a prominent grain-refinement effect, and the average grain sizes obtained from the x , y and z planes are about 7.2 μm , 4.5 μm and 3.2 μm , respectively, as presented in **Figures 2b** to **2d**. After one pass, the originally coarse grains are refined markedly during the DEBS process, which is mainly attributed to the occurrence of DRX, triggered by a large accumulated strain during the extrusion process. In **Figure 2b**, the microstructure consists of some coarse grains (8 μm) in the local area, being surrounded by much finer grains (2–4 μm). Even so, from an overall perspective, the grains are relatively homogeneously distributed and refined. It is obvious that the average grain size of the AZ31-magnesium alloy can be only reduced from 31.8 μm to 8 μm after four ECAP passes at 573 K for route B_c .¹⁴ In contrast, the DEBS process has a unique advantage and a potential for a grain refinement.

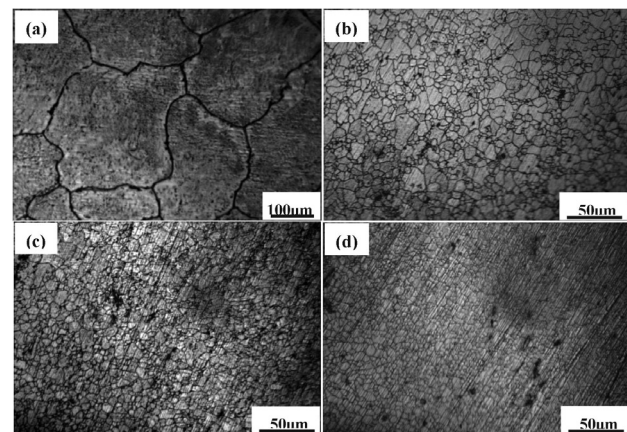


Figure 2: Optical microstructures of AZ31-Mg alloy before and after the DEBS process at 563 K: a) as-cast, b) to d) x , y and z planes of the extruded sample

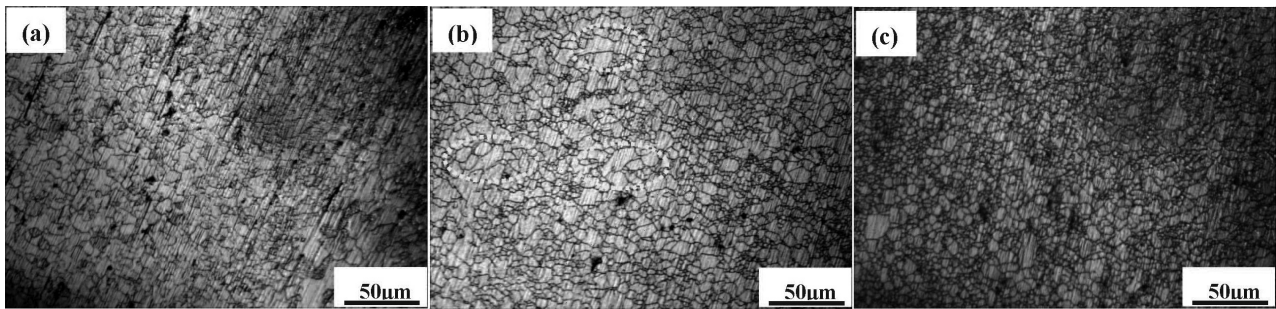


Figure 3: Light microstructures of DEBS-ed AZ31-Mg alloy at 643K: a)–c) x, y and z planes of the extruded sample

With an increase in the extrusion temperature (643 K), many tiny grains emerge (Figures 3a to 3c). However, as there are still some inhomogeneously distorted grains in the local area, marked by ellipses (Figure 3b), there is not enough energy stored to fully complete DRX during the DEBS process, demonstrating that the extrusion temperature plays a significant role in the formation of distorted grains affected by the dislocation density, the evolution of dislocation cells and sub-structures. The aforementioned result is consistent with an earlier research reported by J. F. Jiang et al.¹⁶ They also found that the mean grain size of 27.67 µm can be obtained with ECAP at 623 K, which is much larger than that obtained at 643 K using DEBS.

3.2 Textural evolution

Figure 4 shows the {0002} and {10 $\bar{1}$ 0} pole figures of the DEBS-ed sheets at different temperatures, exhibiting a typical {0002} fiber texture after the DEBS process. However, in comparison with the conventional extrusion (17.55)¹⁷, the texture intensity of the DEBS-ed sheets is significantly weakened (Figures 4a and 4b) and

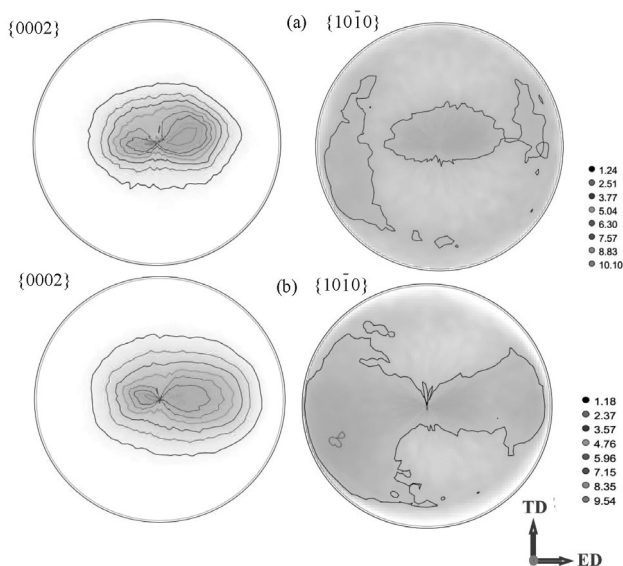


Figure 4: {0002} and {10 $\bar{1}$ 0} pole figures for the DEBS-processed AZ31 alloys at different temperatures: a) 563 K, b) 643 K

the texture component becomes more dispersive along the ED, which can induce a good deformation capability due to the $\langle 11\bar{2}0 \rangle$ direction in fewer grains orientated parallel to the ED.

A closer observation reveals that the {0002} pole figure forms a double-peaked basal texture characterized by a pronounced {0002} basal plane tilted towards the ED at about 30° and 13° (Figure 4a), respectively, which may be a result of a larger shear strain accumulated by the bar-sheet deformation and continuous bending-shear deformation, activating more $\langle c+a \rangle$ slip systems. These phenomena were previously reported for compressive shock loading and ARB processes by H. Asgari¹⁸ and H. Chang¹⁹, respectively. When the extrusion temperature increases to 643 K, the {0002} texture intensity decreases to 9.54, as shown in Figure 4b, and the {0002} basal plane tilts towards the ED at an angle of 10°, which is smaller than the one at 563 K. The decrease in the basal texture intensity may be attributed to an increased activation of the non-basal slip at the higher temperature during the DEBS process.

3.3 Mechanical properties

To shed light on how the grain refinement and texture evolution affect the mechanical properties, tensile tests of the as-cast and DEBS-ed AZ31-Mg alloys are carried out at room temperature, and the tensile stress-strain pro-

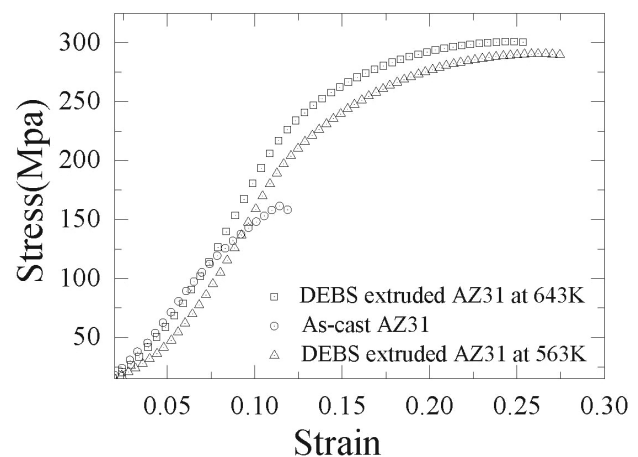


Figure 5: Tensile stress-strain curves at room temperature for the AZ31 samples processed with DEBS at 563 K and 643 K

erties are shown in **Figure 5**. The yield strength (YS), ultimate tensile strength (UTS) and elongation of the as-cast AZ31-Mg alloy are 103.3 MPa, 163.6 MPa and 11.67 %, respectively, and they are mainly caused by the original coarse grains and casting defects.²⁰ However, the mechanical properties are enormously enhanced with the DEBS process. As for the extrusion sheet at 563 K, the YS and UTS are about 203 MPa and 290 MPa, respectively. It should be noted that the elongation (27.7 %) is two times higher than that of the as-cast sample, which can be attributed to the combined effect of the weak basal texture and fine-grain size. It is well known that the weaker-texture intensity can lead to a larger Schmid factor of the $\langle a \rangle$ basal slip, which can improve its ductility.²¹ When the processing temperature increases from 563 K to 643 K, the YS and UTS are inversely increased to 220 MPa and 300 MPa, respectively. There are some distorted grains with a high density of dislocation in the 643 K sample, which play an important role in improving the strength. However, the elongation decreases from 27.7 % to 25.7 %, indicating that the grain refinement plays a dominant role in the enhancement of ductility. On the other hand, the tilt angle of the basal texture at 563 K is larger than that at 643 K, as shown in **Figures 4a** and **4b**. Besides, the high density of dislocation and stress in the 643 K sample due to the accumulated distorted grains can also decrease its elongation.

The tensile fracture surface of an AZ31-alloy sheet before and after the DEBS process is presented in **Figure 6**. There are a large amount of cleavage planes, some shallow dimples and a few cracks in the fracture surface

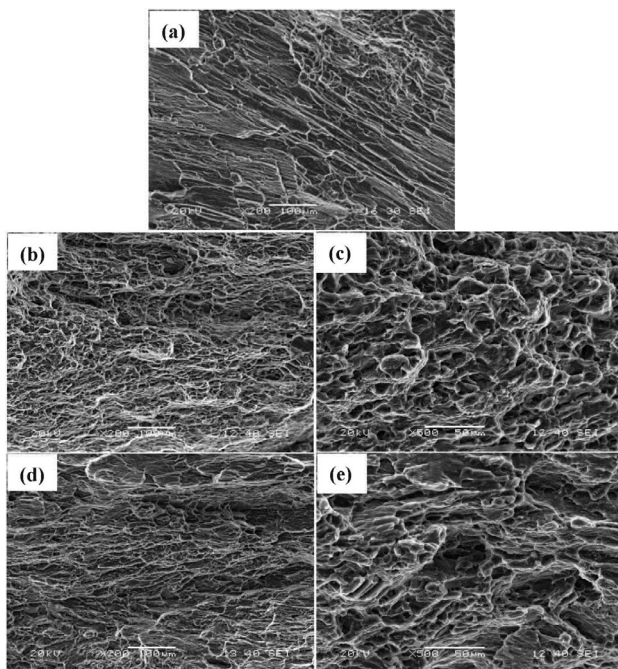


Figure 6: SEM images of the fracture surfaces of AZ31-Mg alloys before and after the DEBS process: a) as-cast, 200 \times , b) and d) extruded at 563 K and 643 K, 200 \times , c) and e) extruded at 563 K and 643 K, 500 \times

of the as-cast AZ31-Mg alloy (**Figure 6a**), which are typical characteristics of a quasi-cleavage fracture. By comparison, many dimples emerge and become much deeper in the DEBS-ed AZ31-alloy sheet (**Figure 6b**), but when the extrusion temperature increases to 643 K, the depth and number of dimples become shallower and fewer again (**Figure 6d**), indicating that the extrusion temperature plays an important role in tailoring the ductility.

Anyhow, the DEBS process can dramatically improve the plasticity and produce typical characteristics of a ductile fracture, which is mainly attributed to the tilted weak texture and grain refinement. A small-scale view of the tensile fracture surface can be seen in **Figures 6c** and **6e**. There is almost no cleavage plane in **Figure 6c**; however, some noticeable cleavage traces and inhomogeneous dimples are shown in **Figure 6e**, caused by some large local and inhomogeneously distributed grains. Therefore, to obtain refined and homogeneous microstructures and a tilted weak basal texture, an advanced processing technology can be used as one of the most effective ways of modifying the plasticity of the Mg alloys important for engineering.

4 CONCLUSION

In summary, the DEBS technique was applied to fabricate an AZ31-magnesium-alloy sheet with high performance and we systematically investigated the grain refinement, texture evolution and mechanical properties of the processed alloy. We find that the average grain size of the as-cast AZ31 alloy is successfully refined from 240 μm to 3.2 μm at 563 K; a crystallographic rotation and a weak texture are yielded after the DEBS process. Due to the combined effect of the grain refinement and texture weakening, both the plasticity and strength are dramatically improved. It is demonstrated that DEBS is a simple and highly efficient way of producing AZ31-alloy sheets with high performance.

Acknowledgments

This work was supported by the National Natural Science Foundation of China (Grant No. 51505143), the Scientific Research Fund of Hunan Provincial Education Department (Grant No. 17B089) and the China Post-doctoral Science Foundation (Grant No. 2016T90759 & 2014M562128).

5 REFERENCES

- ¹ N. El Mahallawy, A. Ahmed Diao, M. Akdesir, H. Palkowski, Effect of Zn addition on the microstructure and mechanical properties of cast, rolled and extruded Mg-6Sn-xZn alloys, *Mater. Sci. Eng. A*, **680** (2017), 47–53, doi:10.1016/j.msea.2016.10.075
- ² X. Xie, J. Shen, F. B. Gong, D. Wu, T. Zhang, X. Luo, Y. Li, Effects of dwell time on the microstructures and mechanical properties of water bath friction stir spot-welded AZ31 magnesium alloy joints,

- Int. J. Adv. Manuf. Technol., 82 (2016), 75–83, doi:10.1007/s00170-015-7361-2
- ³ H. F. Sun, C. J. Li, W. B. Fang, Evolution of microstructure and mechanical properties of Mg-3.0Zn-0.2Ca-0.5Y alloy by extrusion at various temperatures, J. Mater. Process. Tech., 229 (2016), 633–640, doi:10.1016/j.jmatprotec.2015.10.021
- ⁴ L. C. Tang, C. M. Liu, Z. Y. Chen, D. W. Ji, H. C. Xiao, Microstructures and tensile properties of Mg–Gd–Y–Zr alloy during multidirectional forging at 773 K, Mater. Des., 50 (2013), 587–596, doi:10.1016/j.matdes.2013.03.054
- ⁵ F. Akbaripannah, F. Fereshteh-Saniee, R. Mahmudi, H. K. Kim, Microstructural homogeneity, texture, tensile and shear behavior of AM60 magnesium alloy produced by extrusion and equal channel angular pressing, Mater. Des., 43 (2013), 31–39, doi:10.1016/j.matdes.2012.06.051
- ⁶ L. L. Tang, Y. H. Zhao, R. K. Islamgaliev, C. Y. A. Tsao, R. Z. Valiev, E. J. Lavernia, Y. T. Zhu, Enhanced strength and ductility of AZ80 Mg alloys by spray forming and ECAP, Mater. Sci. Eng. A, 670 (2016), 280–291, doi:10.1016/j.msea.2016.06.031
- ⁷ J. Suh, J. Victoria-Hernández, D. Letzig, R. Golle, W. Volk, Effect of processing route on texture and cold formability of AZ31 Mg alloy sheets processed by ECAP, Mater. Sci. Eng. A, 669 (2016), 59–170, doi:10.1016/j.msea.2016.05.027
- ⁸ W. Guo, Q. D. Wang, B. Ye, X. C. Li, X. C. Liu, H. Zhou, Microstructural refinement and homogenization of Mg–SiC nanocomposites by cyclic extrusion compression, Mater. Sci. Eng. A, 556 (2012), 267–270, doi:10.1016/j.msea.2012.06.086
- ⁹ W. P. Yang, X. F. Guo, K. J. Yang, Low temperature quasi-superplasticity of ZK60 alloy prepared by reciprocating extrusion, Trans. Nonferrous Met. Soc. China, 22 (2012), 255–261, doi:10.1016/S1003-6326(11)61168-0
- ¹⁰ P. M. Bhovi, D. C. Patil, S. A. Kori, K. Venkateswarlud, Y. Huange, T. G. Langdon, A comparison of repetitive corrugation and straightening and high-pressure torsion using an Al-Mg-Sc alloy, J. Mater. Res. Technol., 5 (2016), 353–359, doi:10.1016/j.jmrt.2016.03.009
- ¹¹ M. P. Liu, H. J. Roven, X. T. Liu, M. Murashkin, R. Z. Valiev, T. Ungar, L. Balogh, Grain refinement in nanostructured Al-Mg alloys subjected to high pressure torsion, J. Mater. Sci., 45 (2010), 4659–4664, doi:10.1007/s10853-010-4604-3
- ¹² M. H. Maghsoudi, A. Zarei-Hanzaki, H. R. Abedi, Modification of the grain structure, γ phase morphology and texture in AZ81 Mg alloy through accumulative back extrusion, Mater. Sci. Eng. A, 595 (2014), 99–108, doi:10.1016/j.msea.2013.11.095
- ¹³ G. Faraji, M. M. Mashhadi, H. S. Kim, Microstructure inhomogeneity in ultra-fine grained bulk AZ91 produced by accumulative back extrusion (ABE), Mater. Sci. Eng. A, 528 (2011), 4312–4317, doi:10.1016/j.msea.2011.02.075
- ¹⁴ A. Muralidhar, S. Narendranath, H. Shivananda Nayaka, Effect of equal channel angular pressing on AZ31 wrought magnesium alloys, J. Magnesium Alloys, 1 (2013), 336–340, doi:10.1016/j.jma.2013.11.007
- ¹⁵ J. B. Lin, X. Y. Wang, W. J. Ren, X. X. Yang, Q. D. Wang, Enhanced strength and ductility due to microstructure refinement and texture weakening of the GW102K alloy by cyclic extrusion compression, J. Mater. Sci. Technol., 32 (2016), 783–789, doi:10.1016/j.jmst.2016.01.004
- ¹⁶ J. F. Jiang, Y. Wang, J. J. Qu, Microstructure and mechanical properties of AZ61 alloys with large cross-sectional size fabricated by multi-pass ECAP, Mater. Sci. Eng. A, 560 (2013), 473–480, doi:10.1016/j.msea.2012.09.092
- ¹⁷ L. W. Lu, C. M. Liu, Z. R. Yin, J. Zhao, L. Gan, Z. C. Wang, Double extrusion of Mg–Al–Zn alloys, Int. J. Adv. Manuf. Technol., 89 (2017), 869–875, doi:10.1007/s00170-016-9146-7
- ¹⁸ H. Asgari, A. G. Odeshi, J. A. Szpunar, L. J. Zeng, E. Olsson, Grain size dependence of dynamic mechanical behavior of AZ31B magnesium alloy sheet under compressive shock loading, Mater. Charact., 106 (2015), 359–367, doi:10.1016/j.matchar.2015.06.030
- ¹⁹ H. Chang, M. Y. Zheng, W. M. Gan, K. Wu, E. Maawad, H. G. Brokmeier, Texture evolution of the Mg/Al laminated composite fabricated by the accumulative roll bonding, Scripta Mater., 61 (2009) 7, 717–720, doi:10.1016/j.scriptamat.2009.06.014
- ²⁰ W. Guo, Q. D. Wang, B. Ye, H. Zhou, Microstructure and mechanical properties of AZ31 magnesium alloy processed by cyclic closed-die forging, J. Alloys Compd., 558 (2013), 164–171, doi:10.1016/j.jallcom.2013.01.035
- ²¹ Q. S. Yang, B. Jiang, H. C. Pan, B. Song, Z. T. Jiang, J. H. Dai, L. F. Wang, F. S. Pan, Influence of different extrusion processes on mechanical properties of magnesium alloy, J. Magnesium Alloys, 2 (2014), 220–224, doi:10.1016/j.jma.2014.10.001